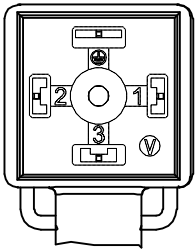
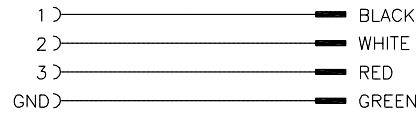


VALVE END VIEW



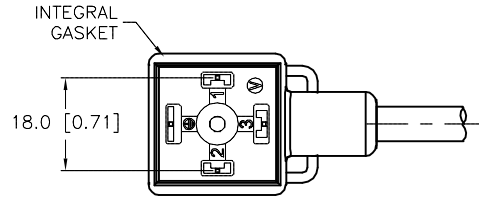
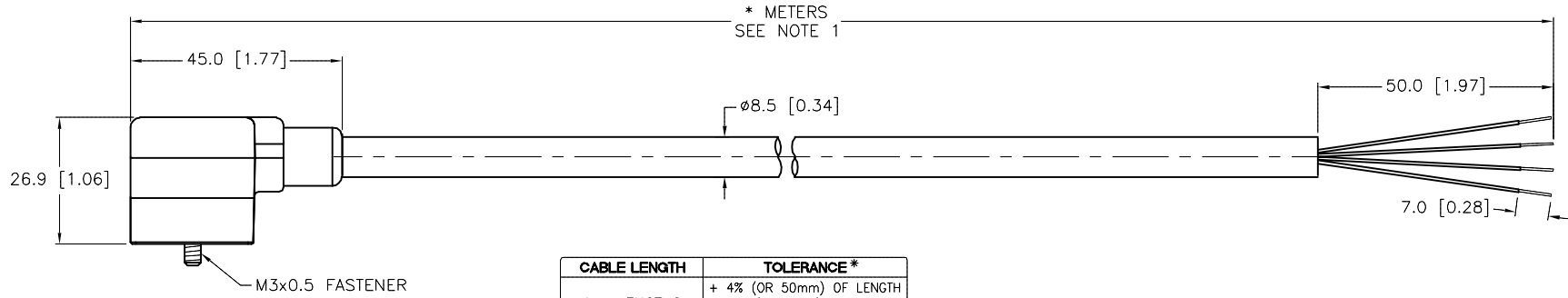
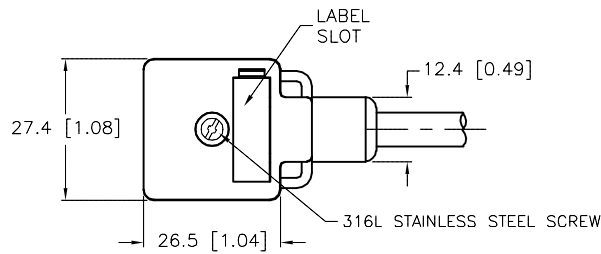
1 = BLACK
2 = WHITE
3 = RED
GND = GREEN

WIRING DIAGRAM



SPECIFICATIONS

CONTACT CARRIER MATERIAL	NYLON OR TPU
CONTACT MATERIAL/PLATING	BRASS/SILVER
MOLDED HEAD MATERIAL/COLOR	TPU/TRANSLUCENT BLACK
VALVE SCREW MATERIAL/FINISH	STAINLESS STEEL/PASSIVATED
RATED CURRENT	4.0 A
RATED VOLTAGE	0-220 V
OUTER JACKET MATERIAL/COLOR	EX60/BLACK
CONDUCTOR INSULATION MATERIAL	XLPE
NUMBER OF CONDUCTORS [AWG]	4x18 AWG (2 PAIRS)
DRAIN/SHIELD	20 AWG/ALUMINUM FOIL SHIELD
TEMPERATURE RATING	-40°C to +105°C (-40°F to +221°F)
CONDUCTOR ARRANGEMENT	2 SHIELDED TWISTED PAIRS, 1 DRAIN
PROTECTION CLASS	MEETS NEMA 1,3,4,6P AND IEC IP67



CABLE LENGTH	TOLERANCE *
ALL LENGTHS	+ 4% (OR 50mm) OF LENGTH - 0% (OR 0mm) OF LENGTH WHICHEVER IS GREATER
STRIP LENGTH	TOLERANCE *
0-7mm	±0.5mm
8-29mm	±1.0mm
30-49mm	±2.0mm
50-69mm	±3.0mm
70-100mm	±4.0mm
OVER 100mm	±5.0mm

* UNLESS OTHERWISE SPECIFIED

SOURCE DRAWING - FOR REFERENCE ONLY

NOTES:

- "*" INDICATES CABLE LENGTH IN METERS. CONTACT TURCK TO ORDER SPECIFIC LENGTHS.
- "/S996" DESIGNATES 316L STAINLESS STEEL MOUNTING SCREW.

RELATED DOCUMENTS 1. 2. 3. 4.	3RD ANGLE PROJECTION 	THIS DRAWING IS CONFIDENTIAL AND THE PROPERTY OF TURCK INC. USE OF THIS DOCUMENT WITHOUT WRITTEN PERMISSION IS PROHIBITED.	3000 CAMPUS DRIVE MINNEAPOLIS, MN 55441 1-800-544-7769 (763) 553-7300 (763) 553-0708 fax www.turck.us	
	MATERIAL SEE SPECIFICATIONS		DRFT ER APVD M.V.	DATE 10/16/19 SCALE 1=1.5
FINISH SEE SPECIFICATIONS	ALL DIMENSIONS DISPLAYED ON THIS DRAWING ARE FOR REFERENCE ONLY	CONTACT TURCK FOR MORE INFORMATION	UNIT OF MEASUREMENT MILLIMETER [INCH]	IDENTIFICATION NO. REV A
A DRAWING RELEASE	ER 12/13/19		DO NOT SCALE THIS DRAWING	FILE: 777043912 SHEET 1 OF 1
REV DESCRIPTION	BY DATE	ECO NO.		